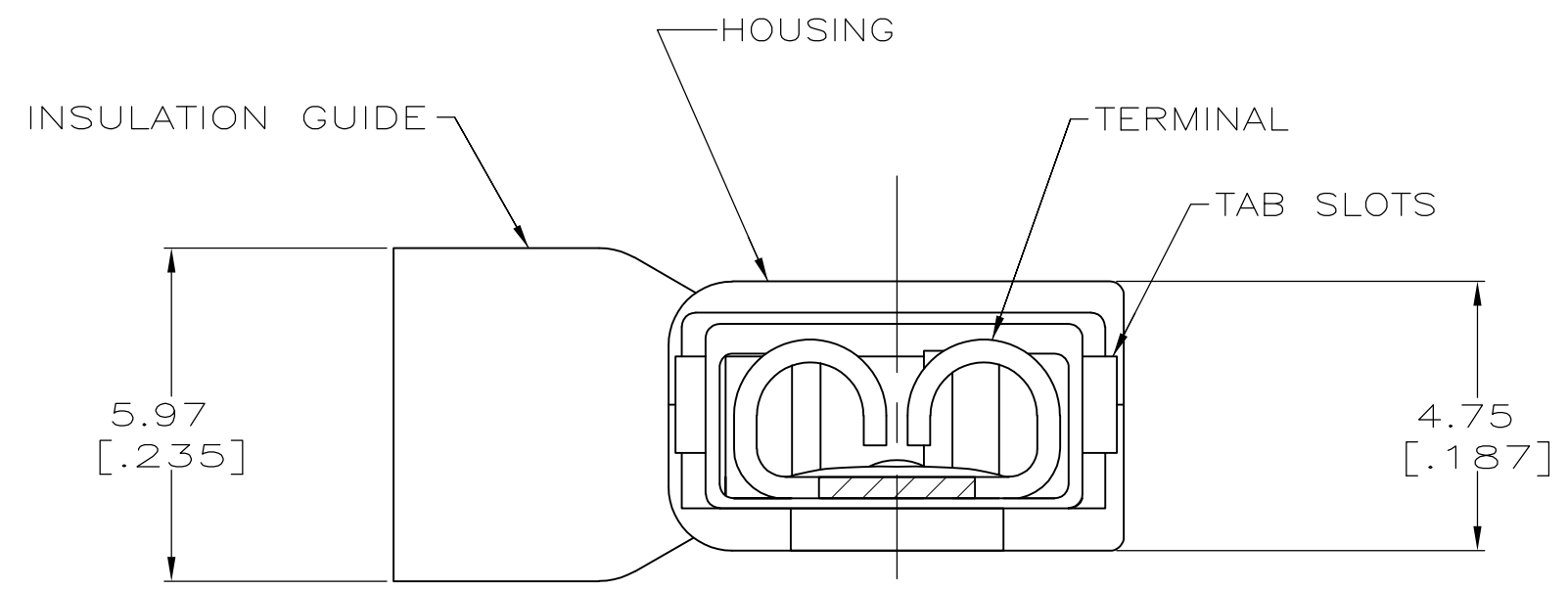
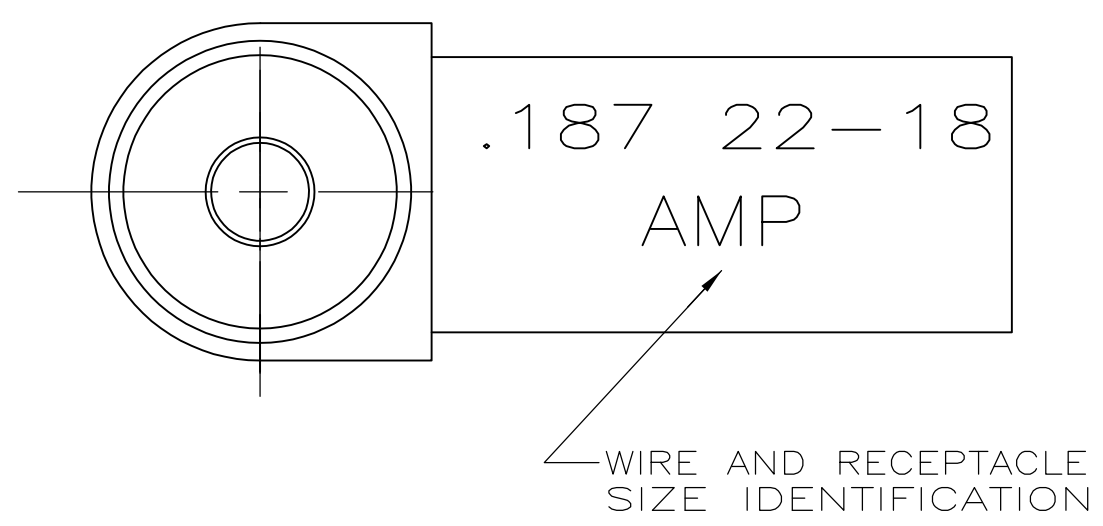
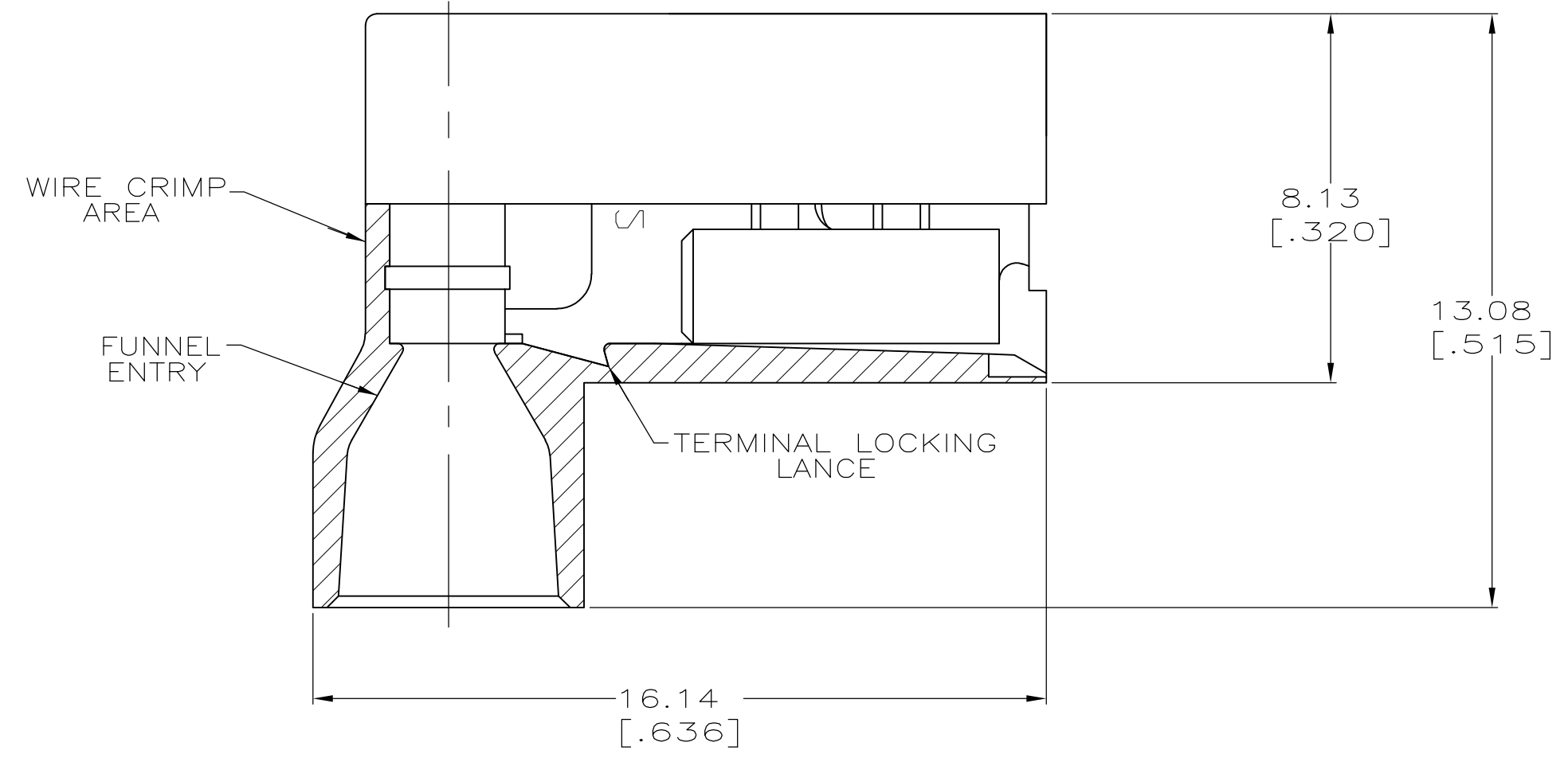


THIS DRAWING IS UNPUBLISHED. RELEASED FOR PUBLICATION
 © COPYRIGHT - By - ALL RIGHTS RESERVED.

| LOC | DIST | REVISIONS | | | |
|-----|------|-------------|---------------------------|---------|-------|
| P | LTR | DESCRIPTION | DATE | OWN | APVD |
| AF | 50 | J | REVISED PER ECR-13-004343 | 30JUL13 | KH KR |

- 1 FITS 0.81±0.025 X 4.75 [.032±.001 X .187] TAB
- 2 WIRE SIZE: 0.3-0.9mm² [22-18 AWG], STRANDED ONLY.
STRIP LENGTH 7.14 [.281]
- 3 INSULATION SIZE: 4.19 [.165] MAX DIA.
- 4 SUPPLIED AS LOOSE PIECE



OBSOLETE

| | | | | |
|----------------|-----------------|------------------------|--------|------------|
| TYPE 6/6 NYLON | RED TRANSLUCENT | 0.41 [.016] #4H PH BRZ | TIN | 2-520337-4 |
| TYPE 6/6 NYLON | RED TRANSLUCENT | BRASS | TIN | 2-520337-2 |
| MATERIAL | COLOR | MATERIAL | FINISH | PART NO |
| HOUSING | | TERMINAL | | |

| | | | | |
|--|------------------|------------------------|---|--------------|
| THIS DRAWING IS A CONTROLLED DOCUMENT. | | DWN P FORTNEY 8/10/90 | STE TE Connectivity | |
| DIMENSIONS: mm[INCHES] | | CHK MS FEHER 8/23/90 | | |
| TOLERANCES UNLESS OTHERWISE SPECIFIED: | | APVD D BRATINA 8/24/90 | NAME | |
| 0 PLC ± - | 1 PLC ± - | PRODUCT SPEC | RECEPTACLE ASSEMBLY, ULTRA-FAST FLAG, 4.75 [.187] SERIES, LOOSE PIECE | |
| 2 PLC ± 0.38 [.015] | 3 PLC ± - | 108-2043 | SIZE CAGE CODE DRAWING NO | |
| 4 PLC ± - | ANGLES ± - | 114-2123 | RESTRICTED TO | |
| MATERIAL SEE TABLE | FINISH SEE TABLE | WEIGHT - | A2 00779 C-520337 | |
| | | CUSTOMER DRAWING | SCALE 8:1 | SHEET 1 OF 1 |
| | | | REV J | |

520337